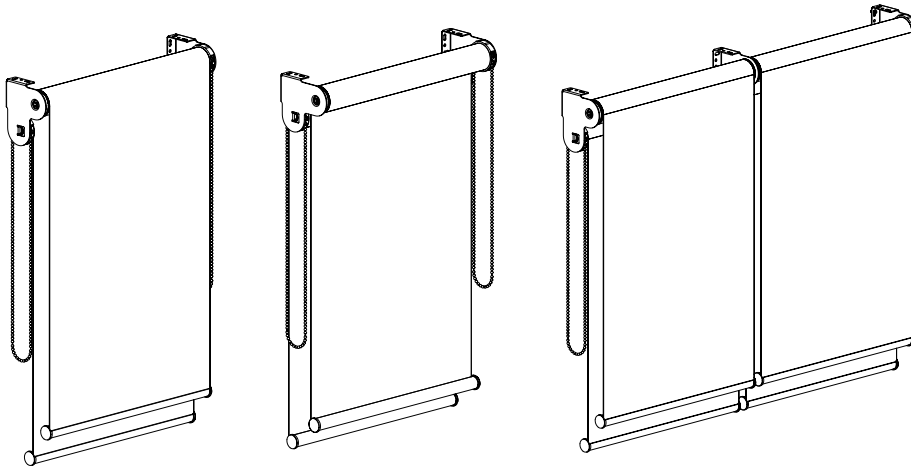




Acmeda

EASY-LOCK COMBO BRACKET

ROLLER BLINDS



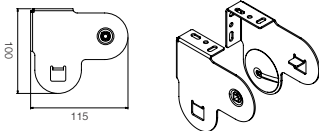
The Acmeda Easy-Lock Combo Bracket has been developed to conveniently fit two blinds onto the one bracket. Allowing the benefits of transparent fabrics and block-out fabrics to be enjoyed on the one window, without the space and installation concerns of two separate blinds.

The bracket design allows it to be utilised in varied environments, bringing the sun control normally enjoyed by vertical or horizontal blinds to the roller blind market.

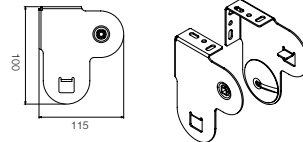
Features & Benefits

- Two styles of installation; Standard (2 x Back Roll) and Slimline (1 x Back roll & 1 x Front Roll or 2 x Front Roll)

STANDARD

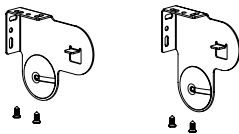


SLIMLINE

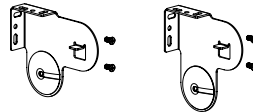


- Can be both universally Top / Reveal & Face Fit

TOP FIX



FACE FIX



- Easy-Lock installation allows for a simple two step installation
- Chains kept on opposite sides to avoid interference and obstruction
- Fabric deductions kept the same as standard brackets

System Compatibility

- Easy-Lock Chain Winders - 32mm, 38/40mm & 43mm
- Easy-Lift Chain Controls with Booster (Available soon)
- Easy-Lock Motorised - 40mm
- Easy-Link - Intermediate Brackets (Pictured above - Available Soon)

Article Codes

RB08-0380-xxx115

COMBO Easy-Lock Brackets - 100mm x 115mm ; Universal Fit

Inner Pack
5 Sets

Outer Pack
50 Sets